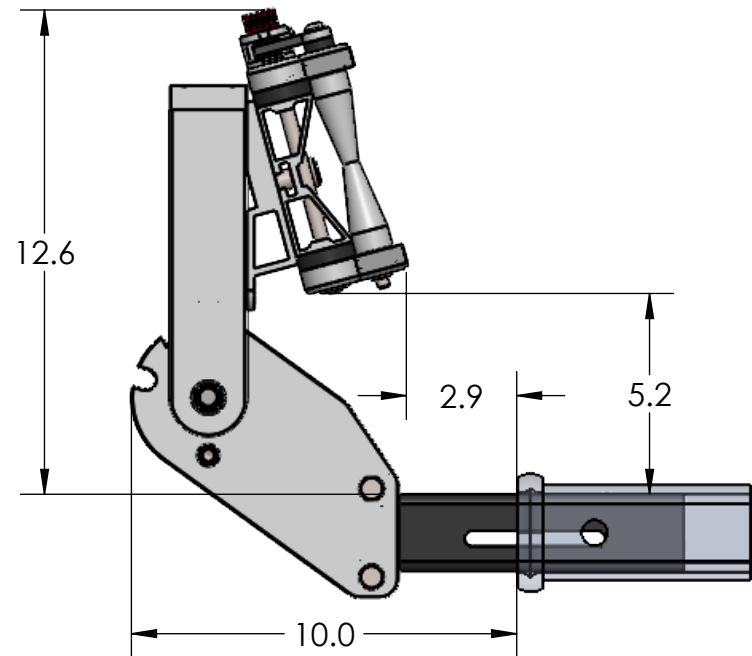
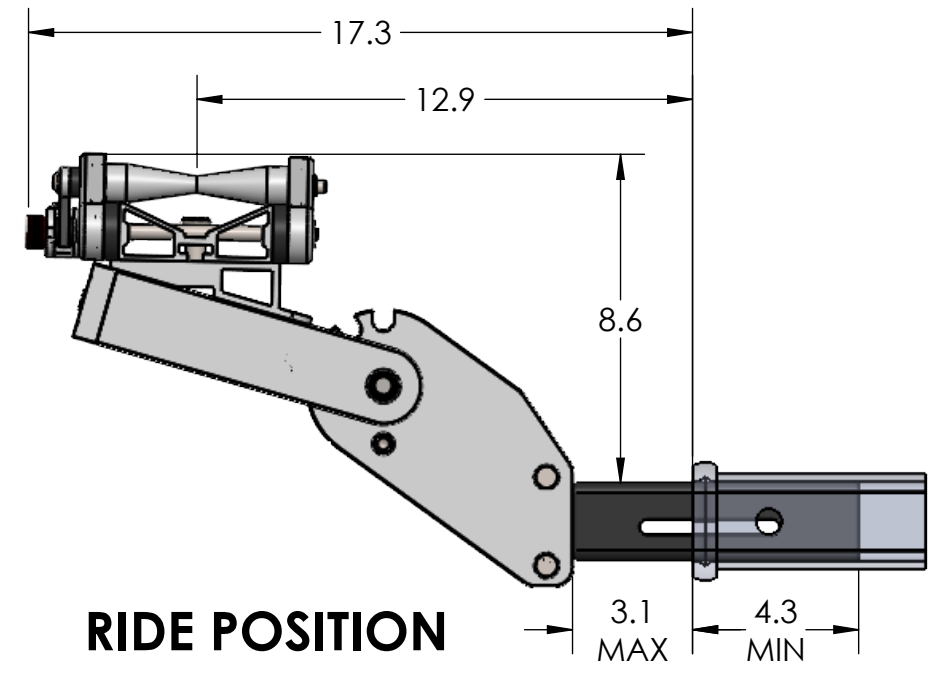


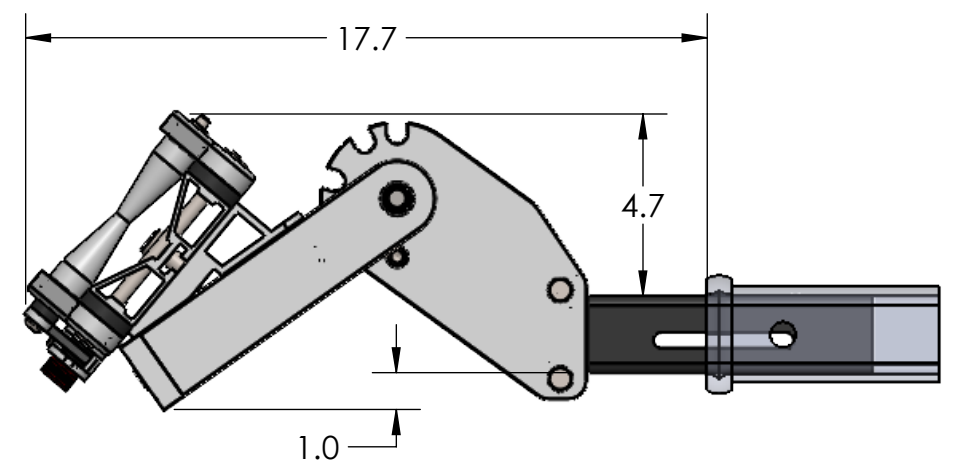
# 2" SUPER DUTY SINGLE



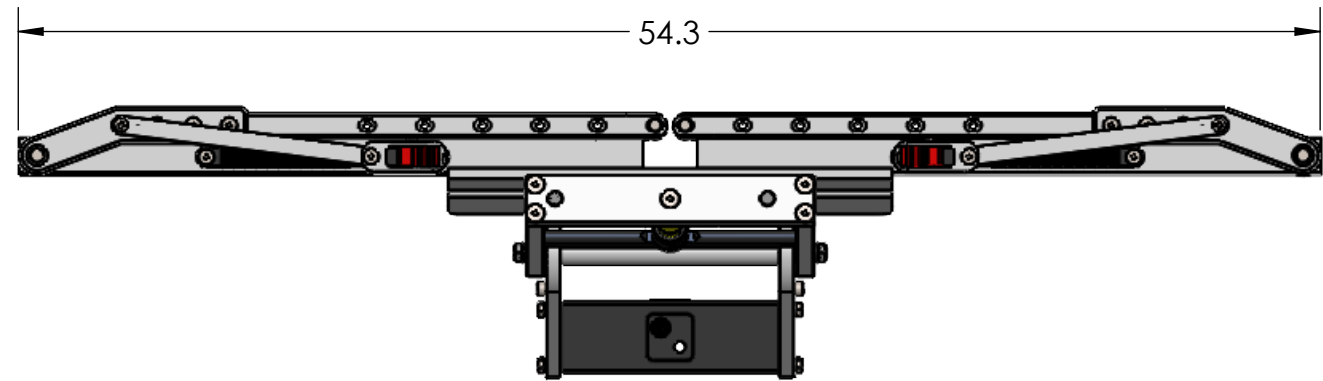
**STORAGE POSITION**



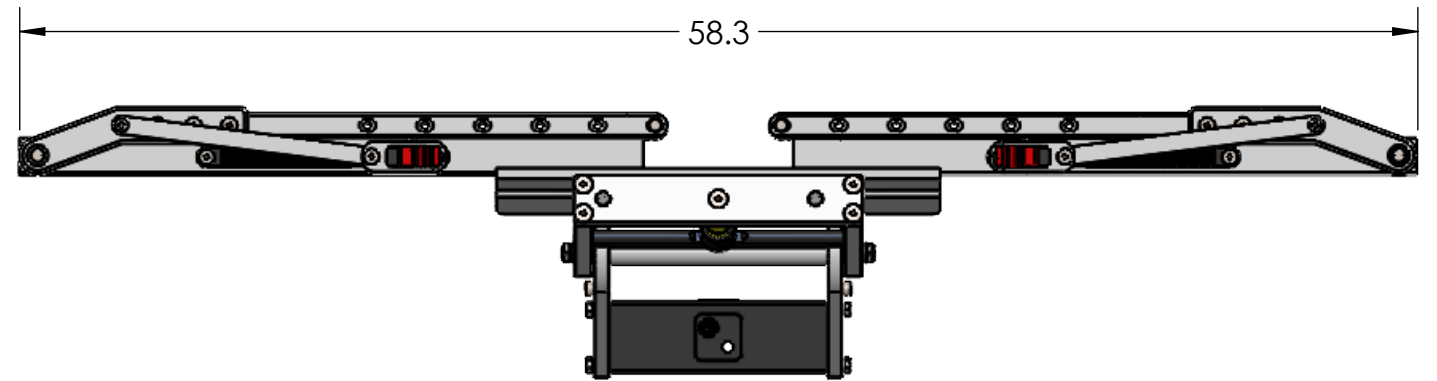
**RIDE POSITION**



**DOWN POSITION**

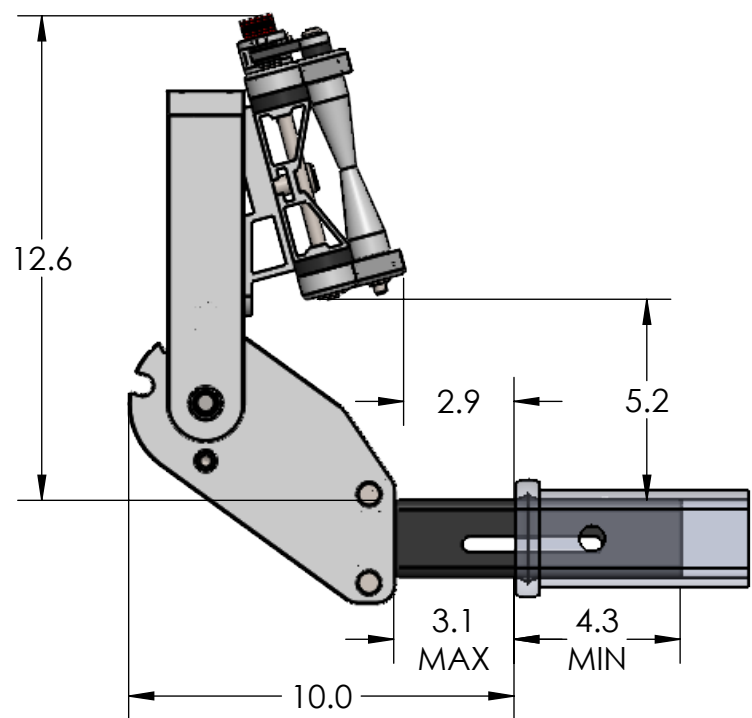


**OVERALL WIDTH**

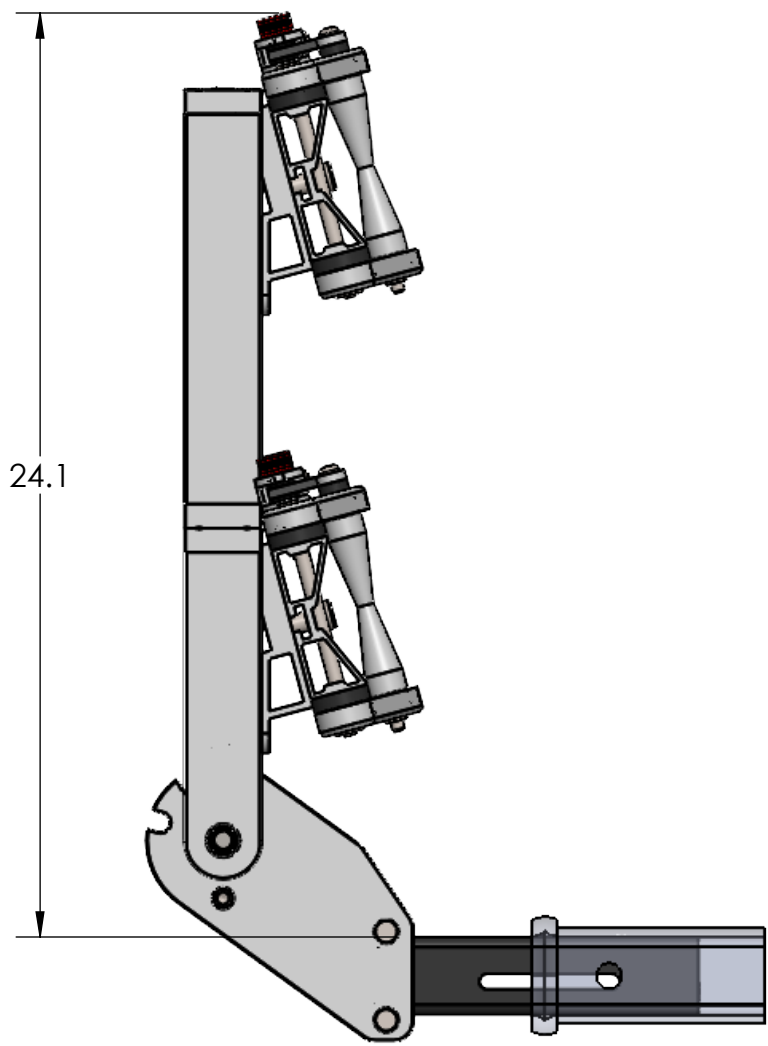


**OVERALL WIDTH-WIDE POSITION**

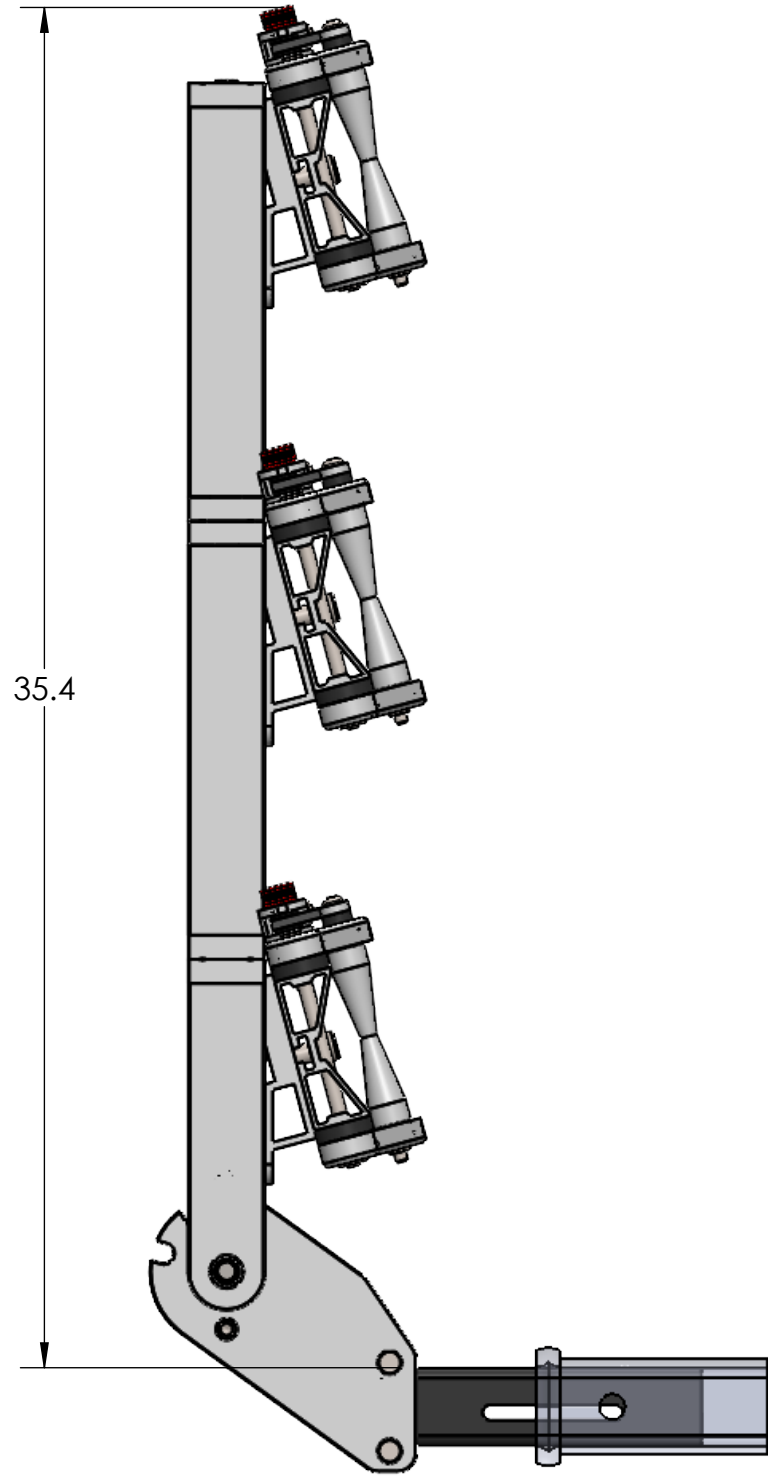
# 2" SUPER DUTY SINGLE - STORAGE POSITION



**BASE RACK**

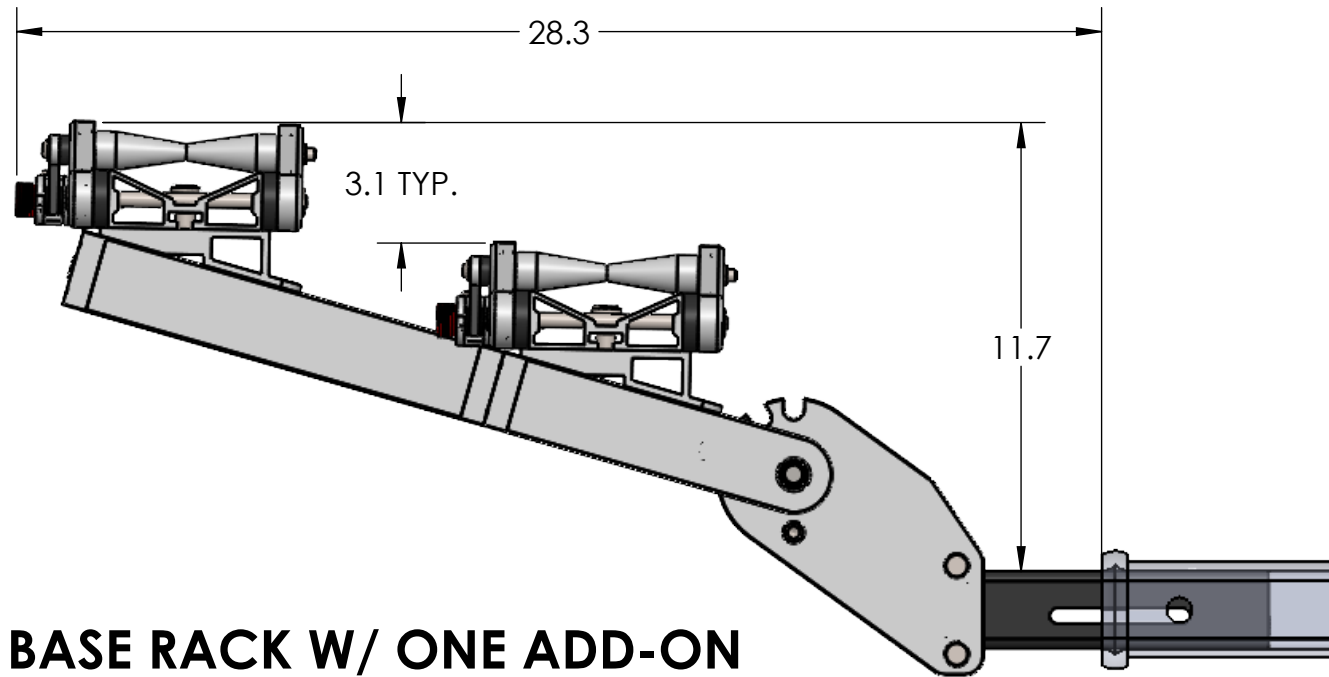


**BASE RACK W/ ONE ADD-ON**

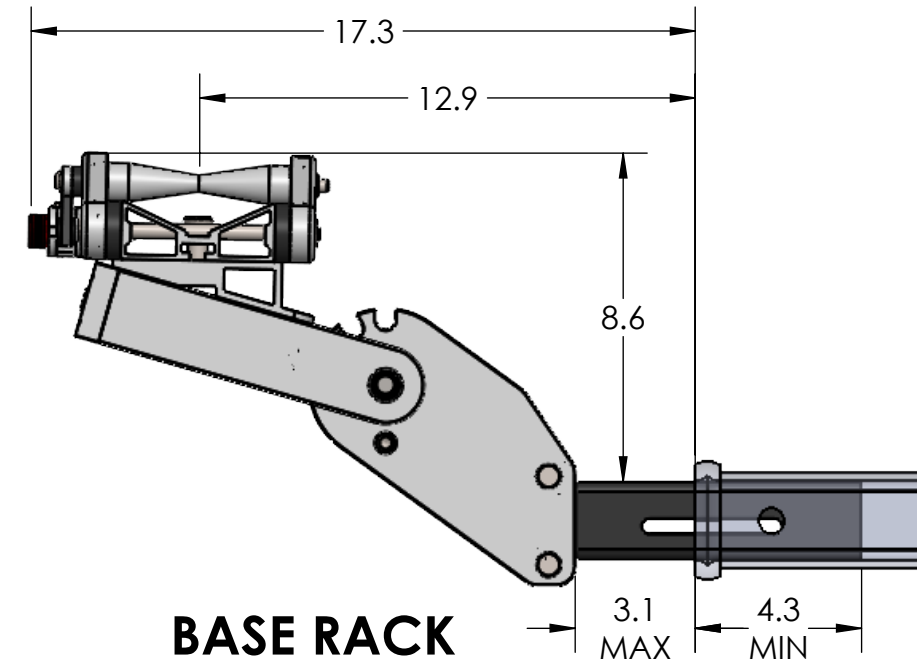


**BASE RACK W/ TWO ADD-ONS**

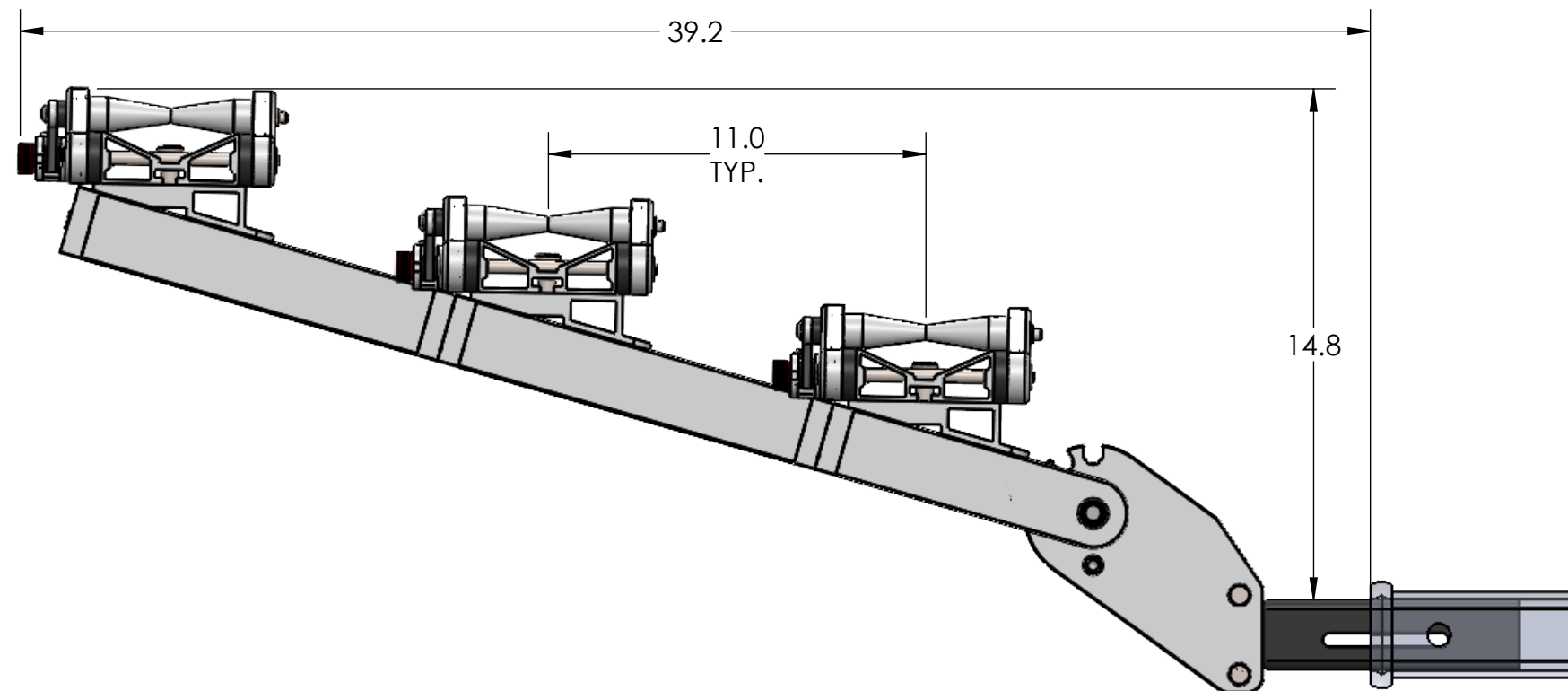
# 2" SUPER DUTY SINGLE - RIDE POSITION



**BASE RACK W/ ONE ADD-ON**

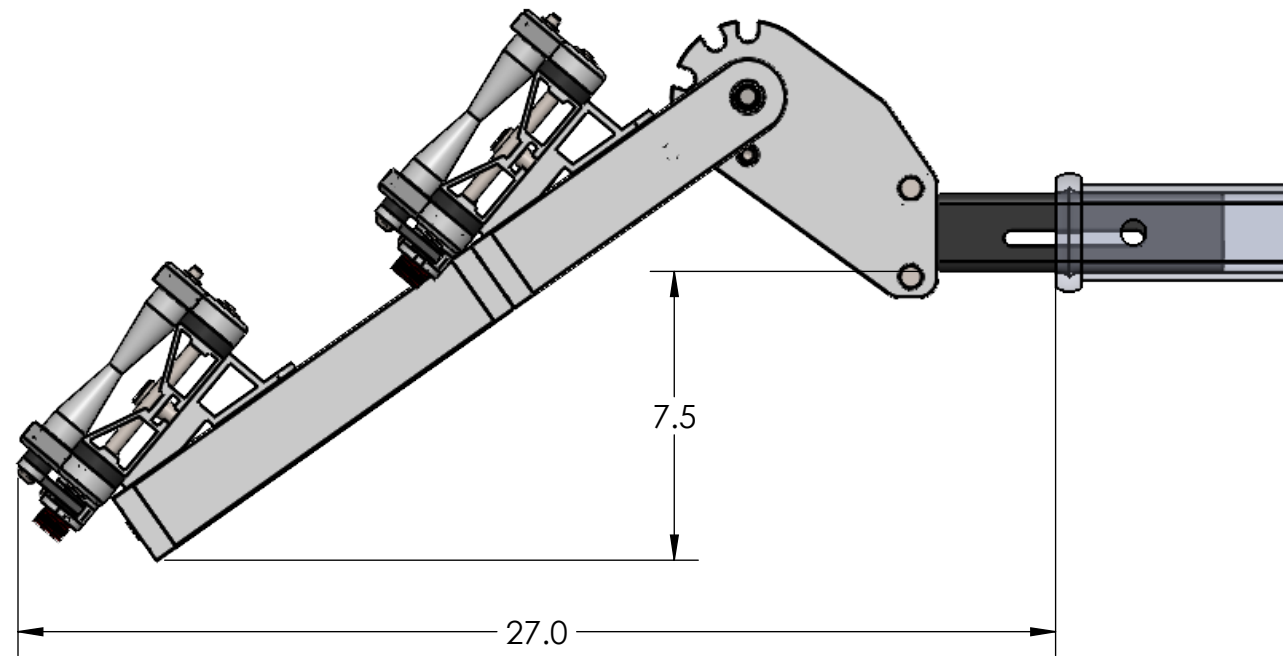


**BASE RACK**

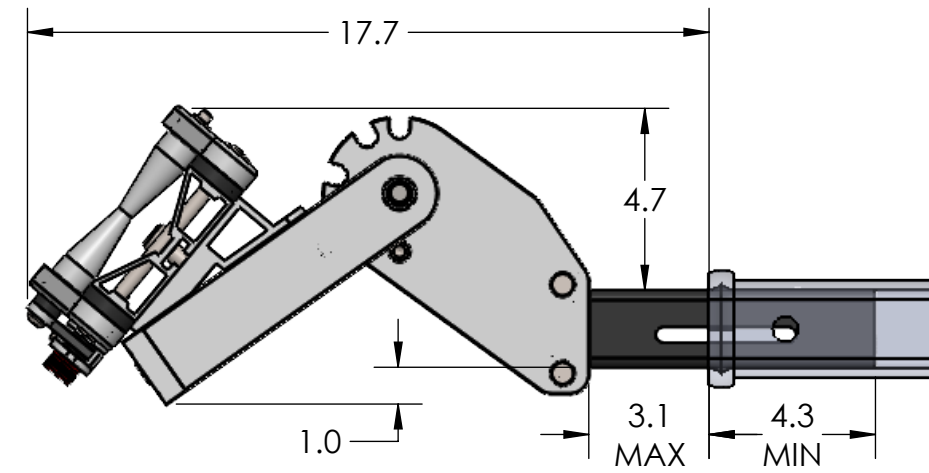


**BASE RACK W/ TWO ADD-ONS**

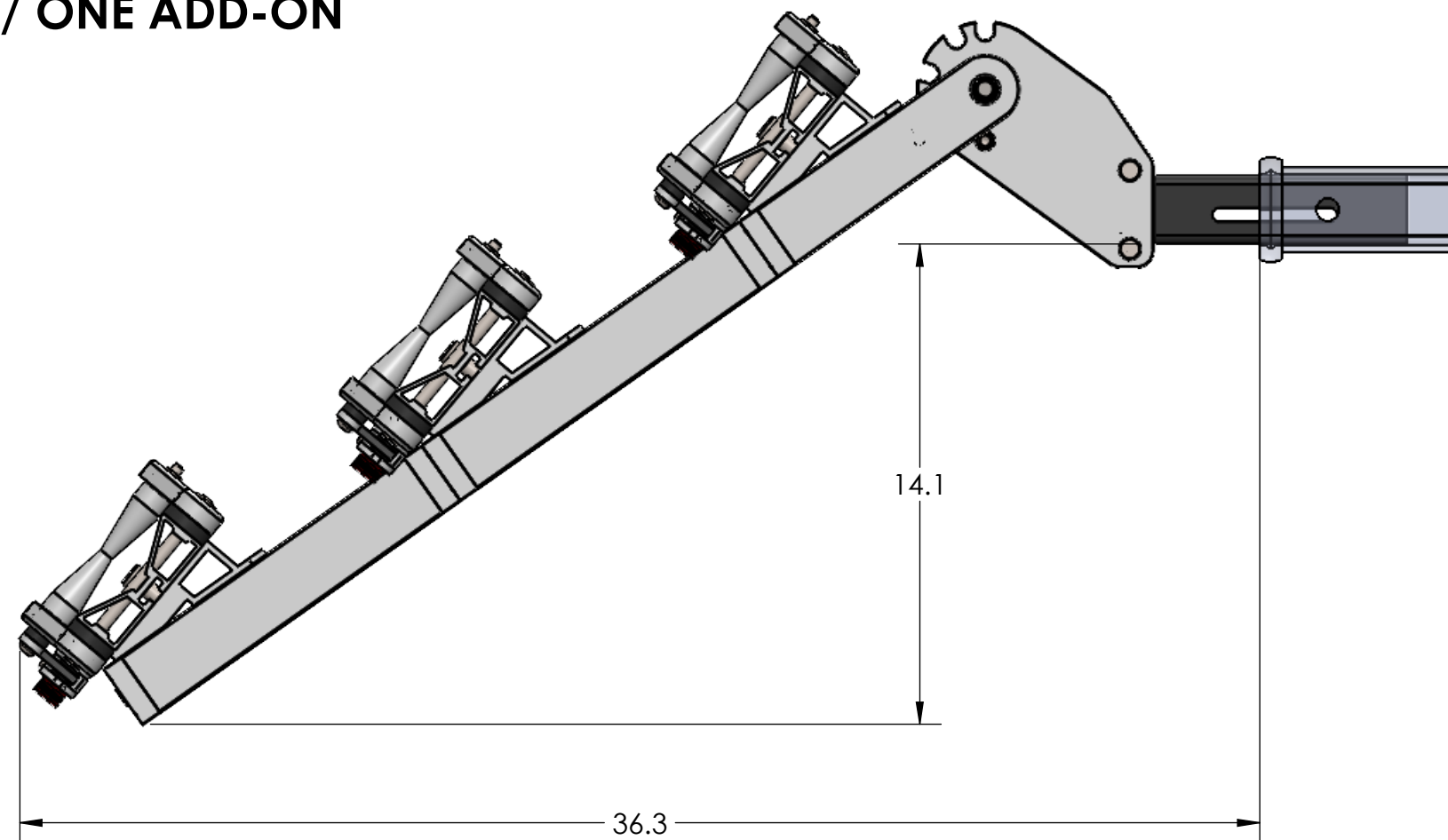
# 2" SUPER DUTY SINGLE - DOWN POSITION



**BASE RACK W/ ONE ADD-ON**

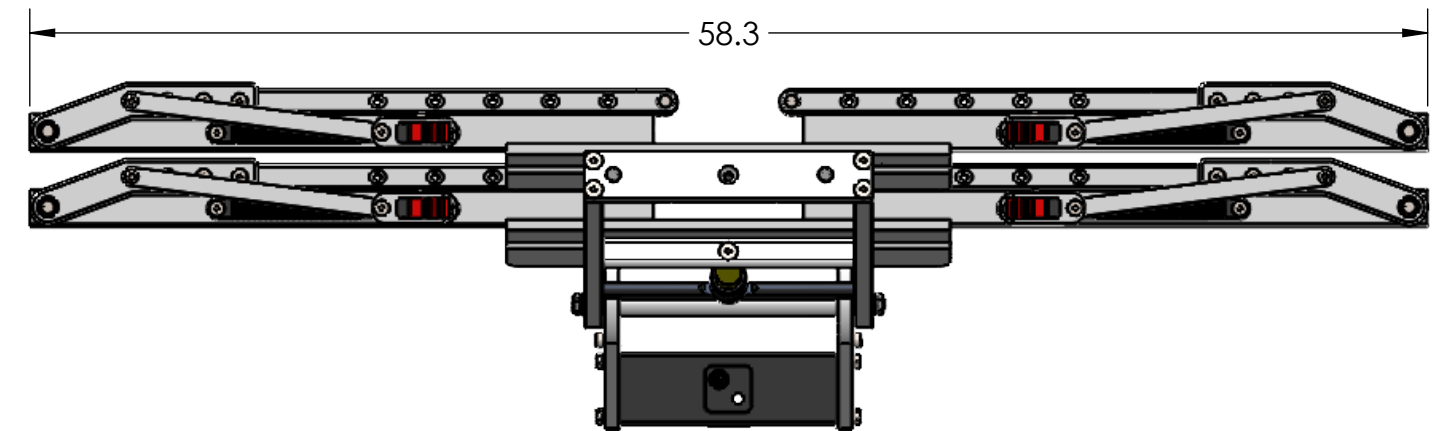
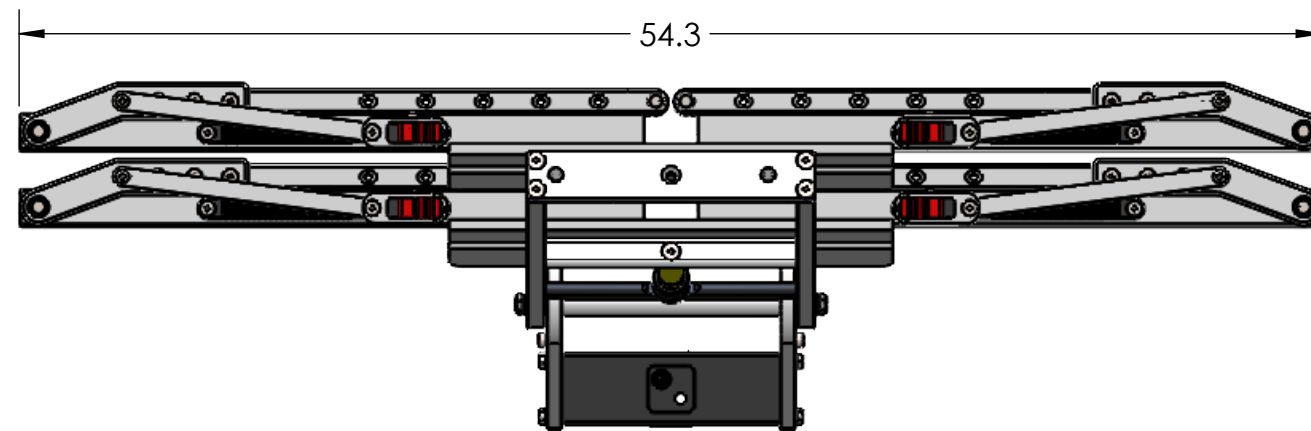
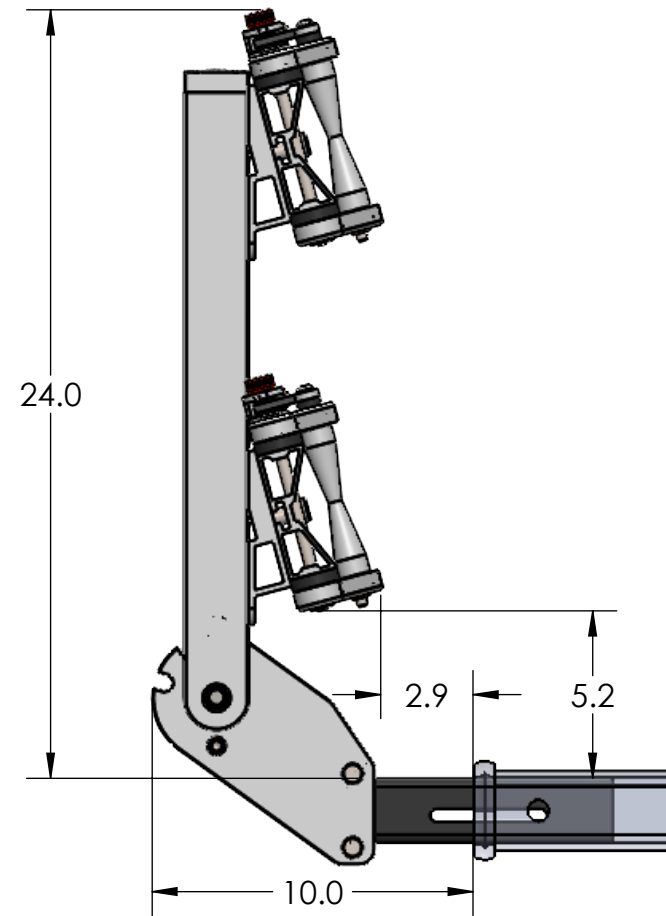
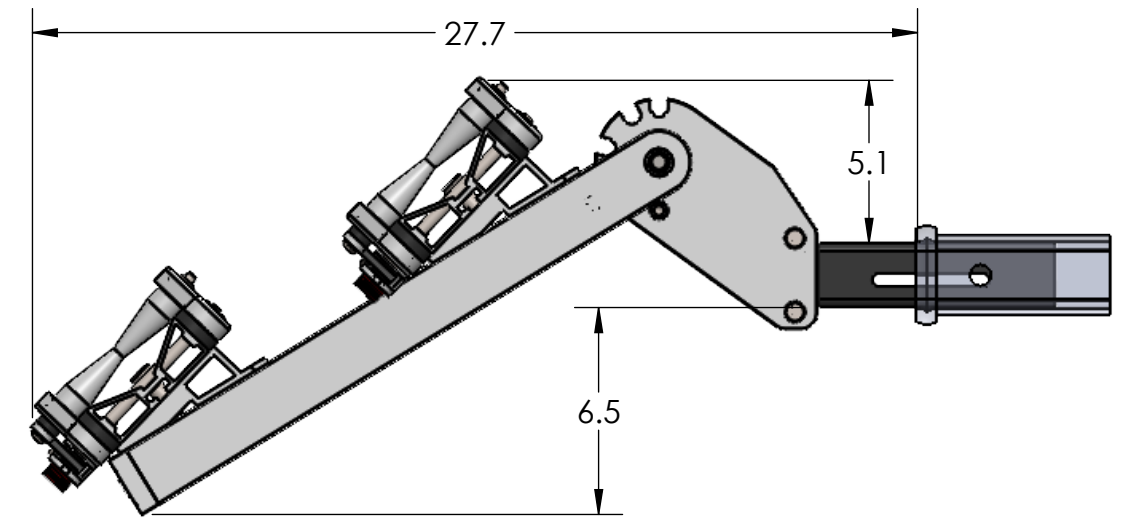
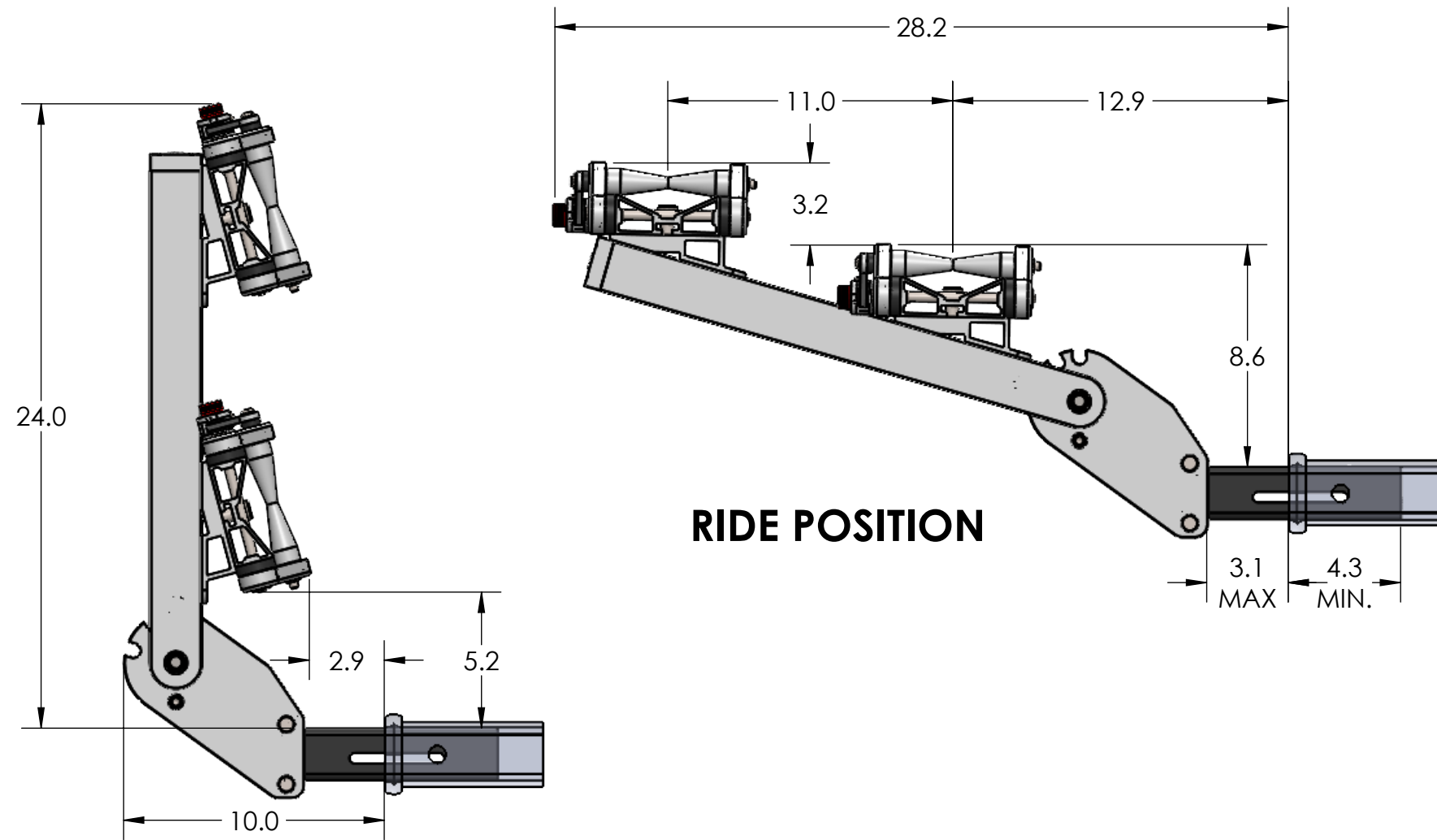


**BASE RACK**



**BASE RACK W/ TWO ADD-ONS**

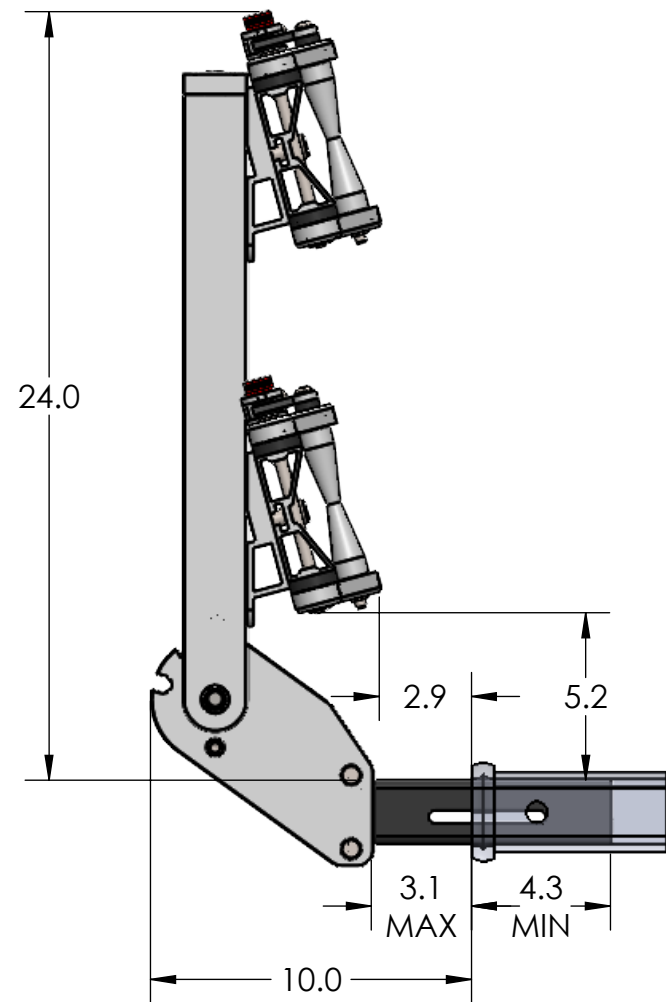
# 2" SUPER DUTY DOUBLE



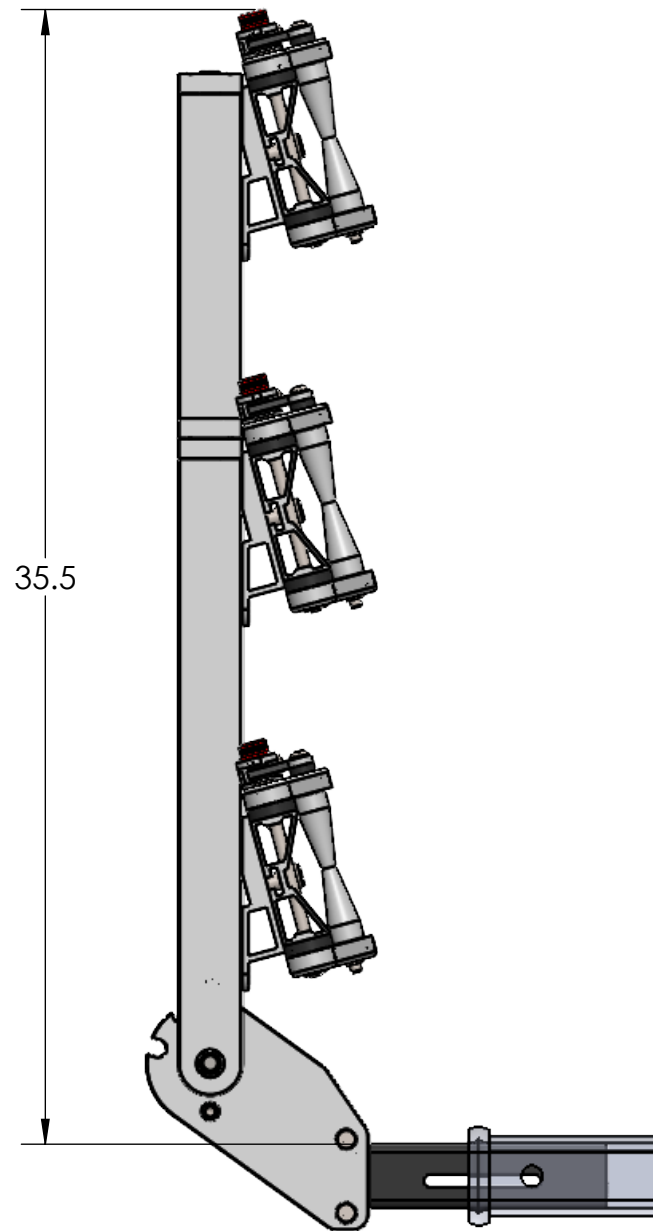
OVERALL WIDTH

OVERALL WIDTH-WIDE POSITION

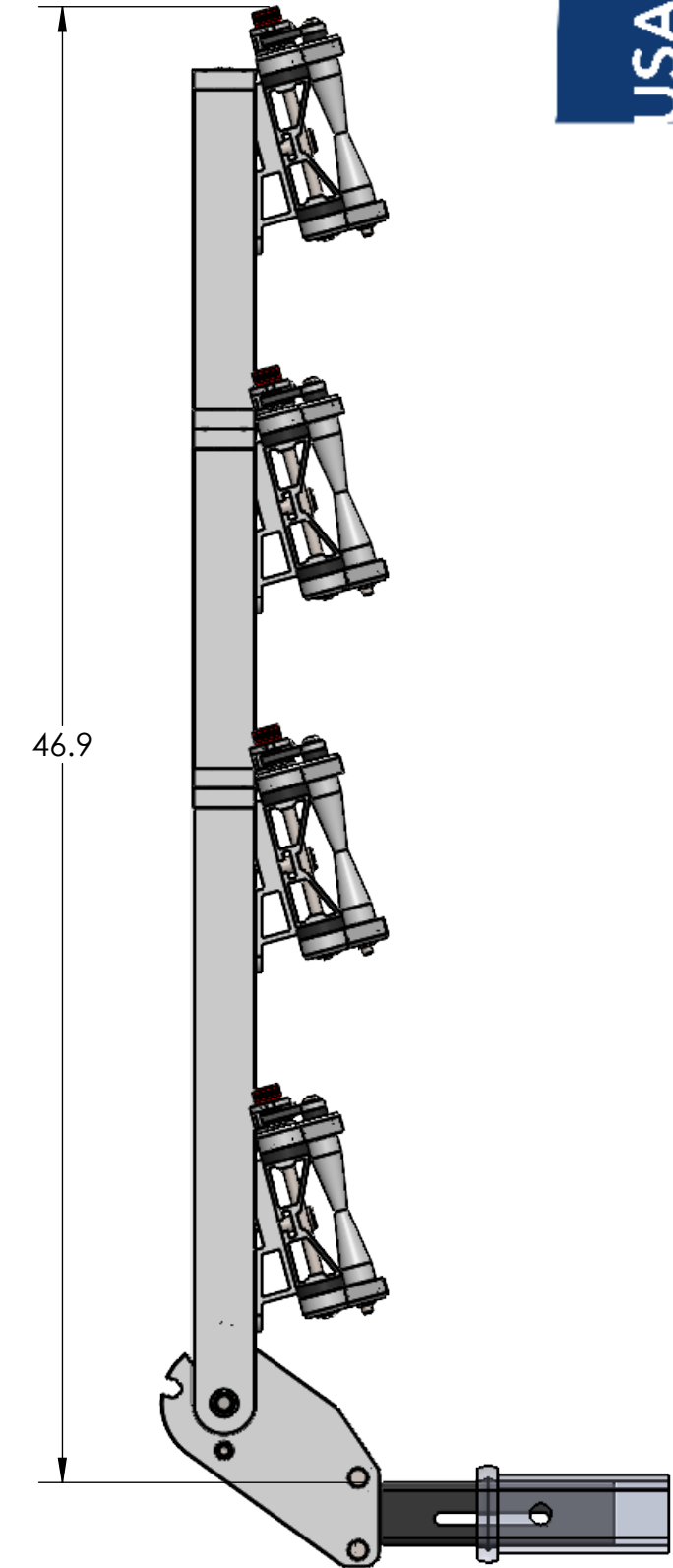
# 2" SUPER DUTY DOUBLE - STORAGE POSITION



**BASE RACK**

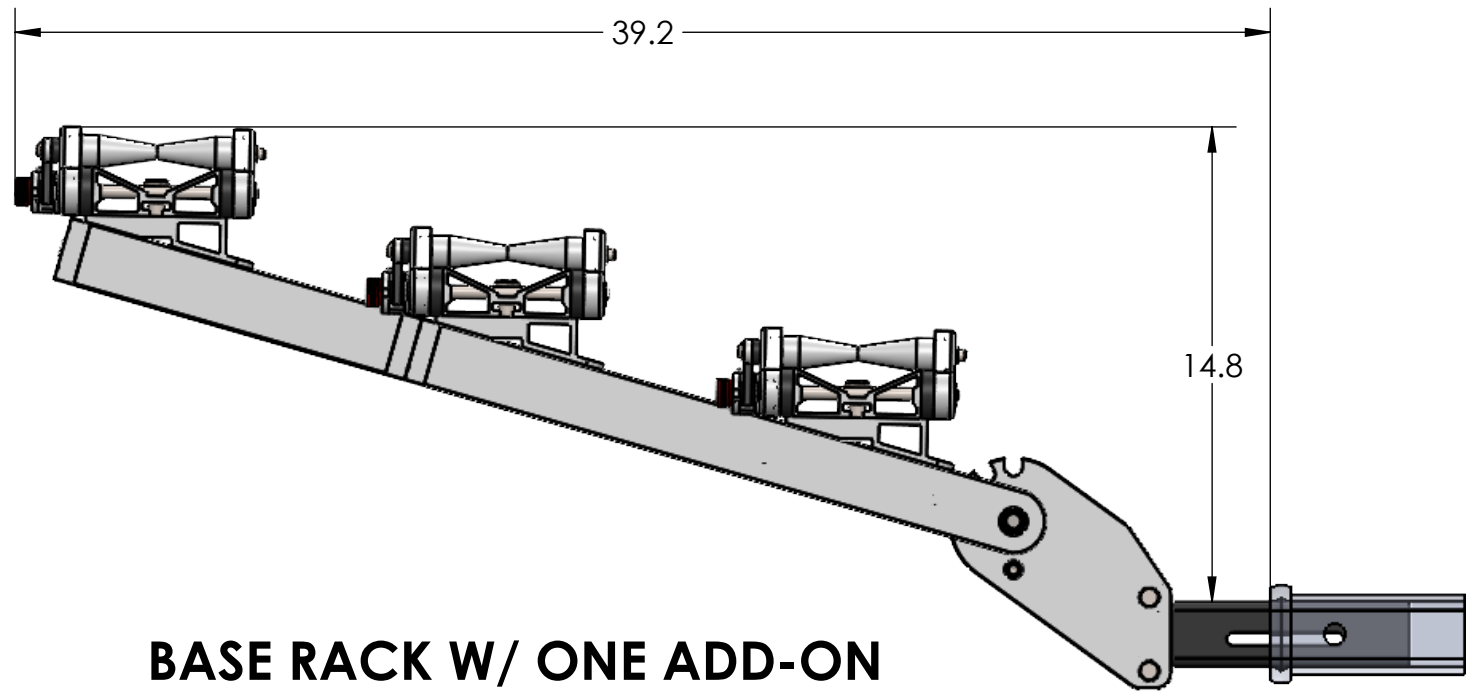


**BASE RACK W/ ONE ADD-ON**

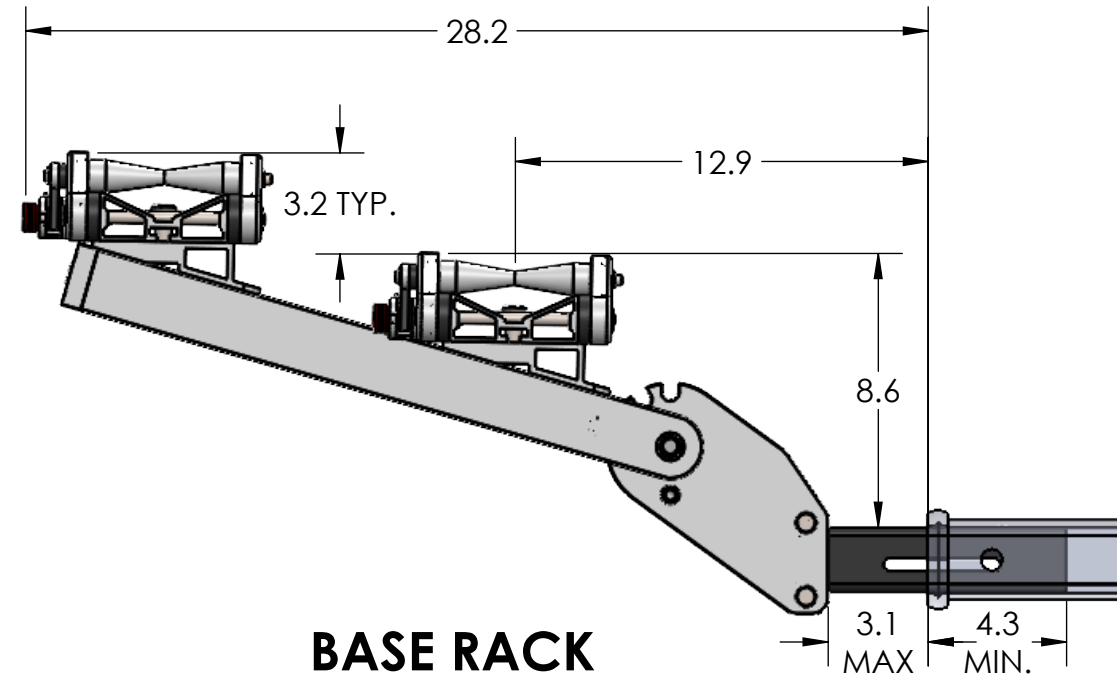


**BASE RACK W/ TWO ADD-ONS**

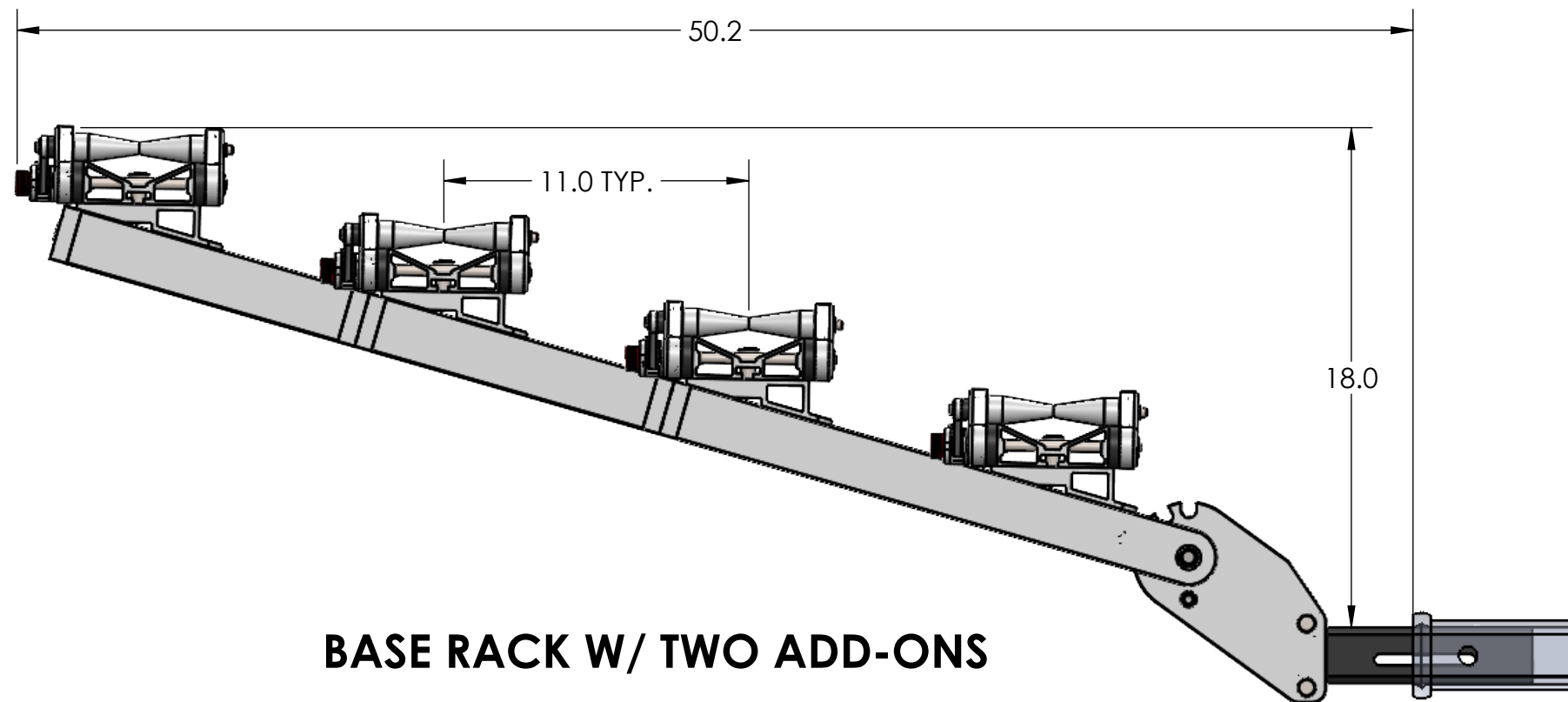
# 2" SUPER DUTY DOUBLE - RIDE POSITION



**BASE RACK W/ ONE ADD-ON**

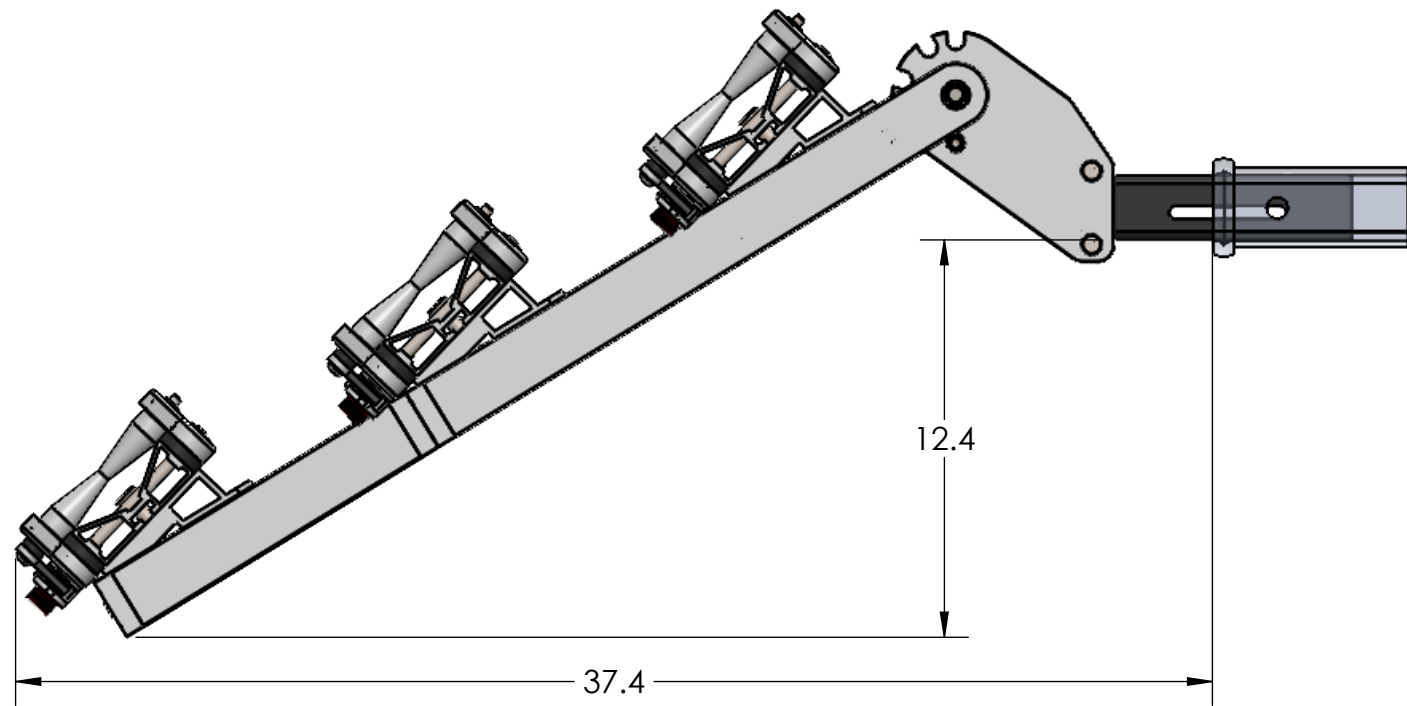


**BASE RACK**

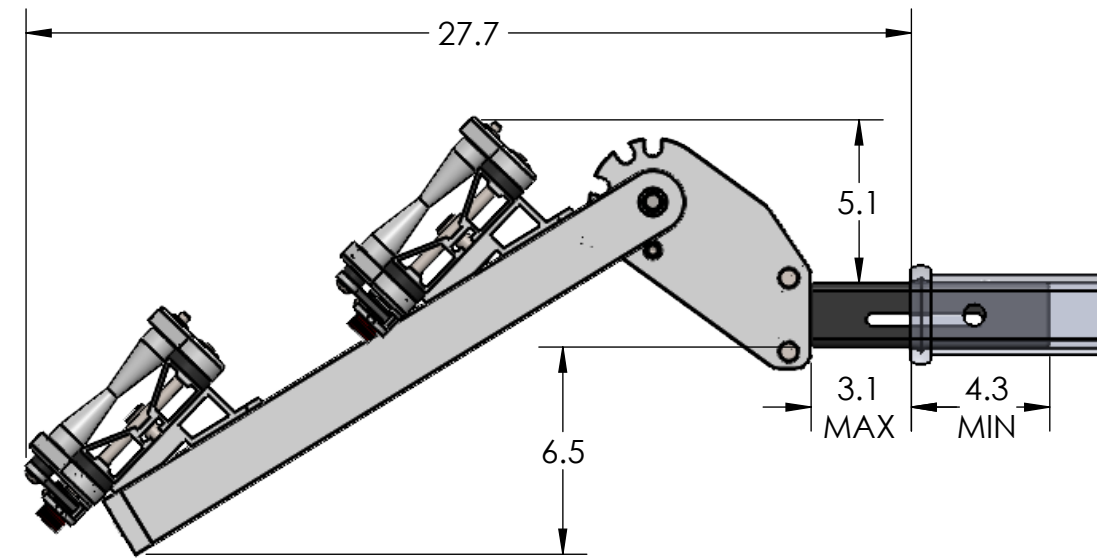


**BASE RACK W/ TWO ADD-ONS**

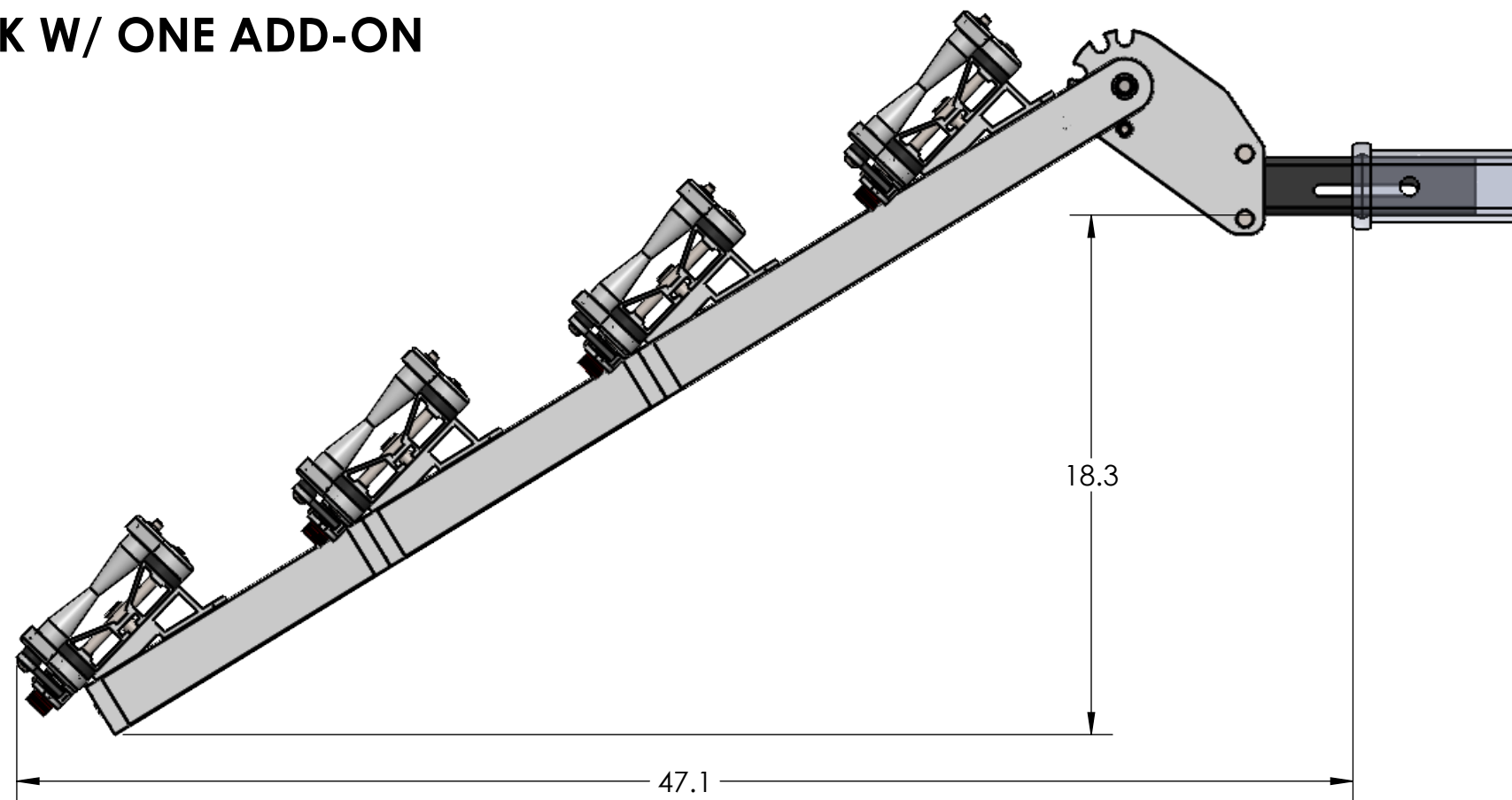
# 2" SUPER DUTY DOUBLE - DOWN POSITION



**BASE RACK W/ ONE ADD-ON**



**BASE RACK**



**BASE RACK W/ TWO ADD-ONS**